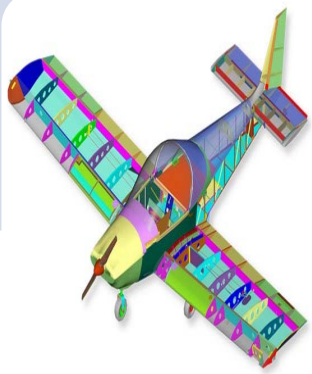




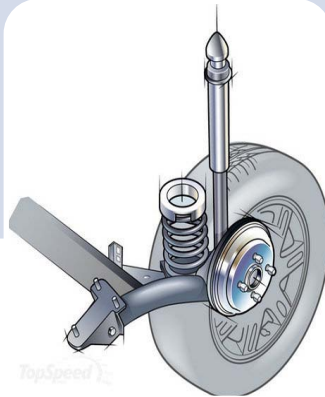
Airframe Aerodesigns Pvt. Ltd.

Possibilities Beyond Expectations

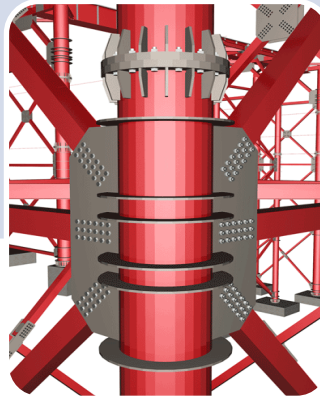
Company Profile



Aerospace



Automotive



Steel Structural

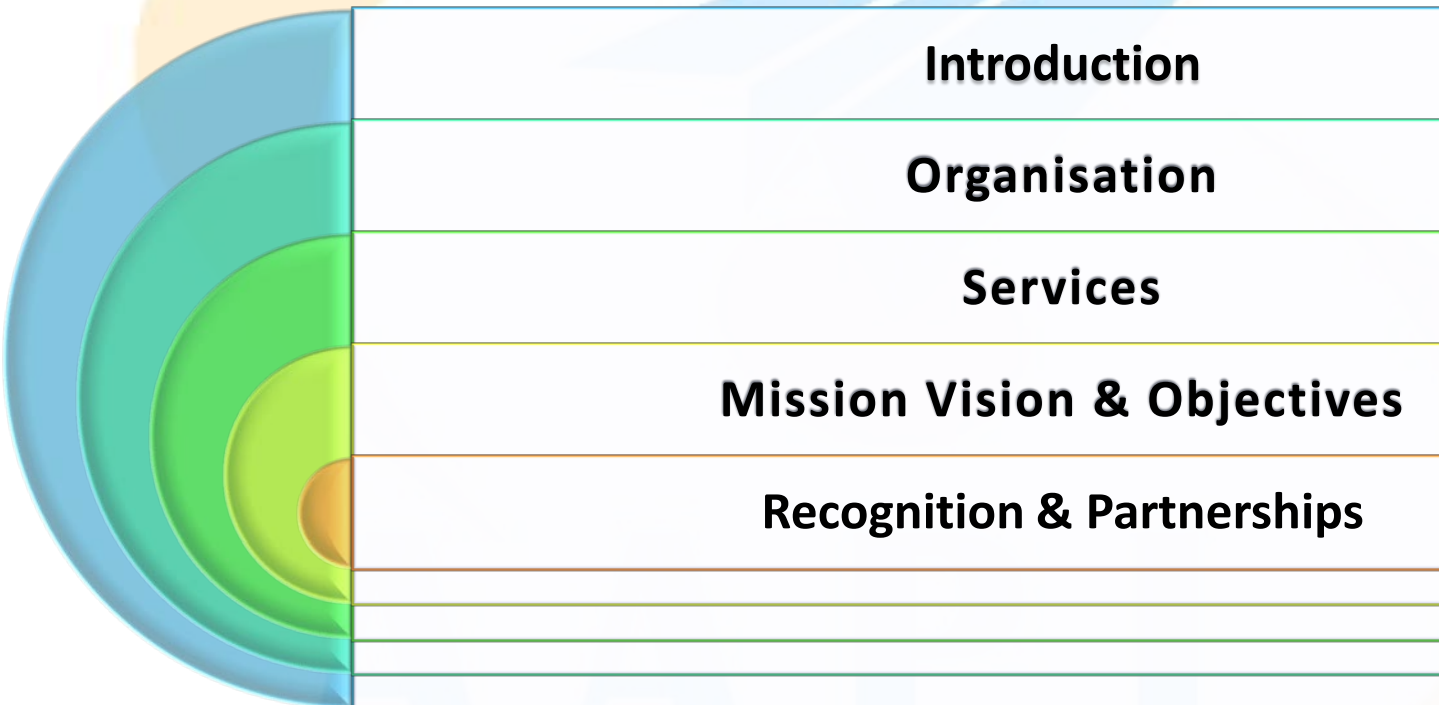


Process Powerplant
& Industrial Chimney



HVAC

Agenda

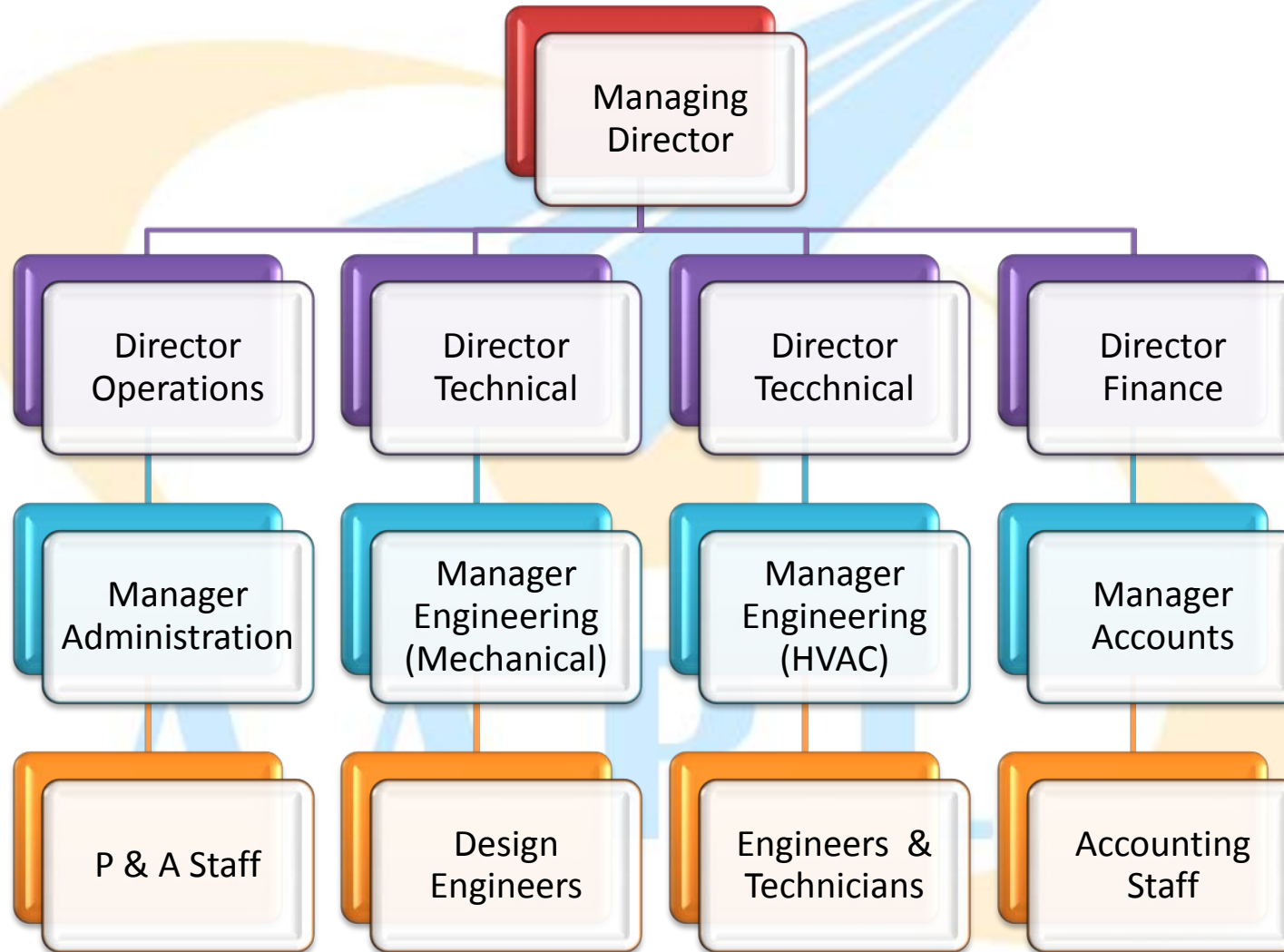


Introduction
Organisation
Services
Mission Vision & Objectives
Recognition & Partnerships

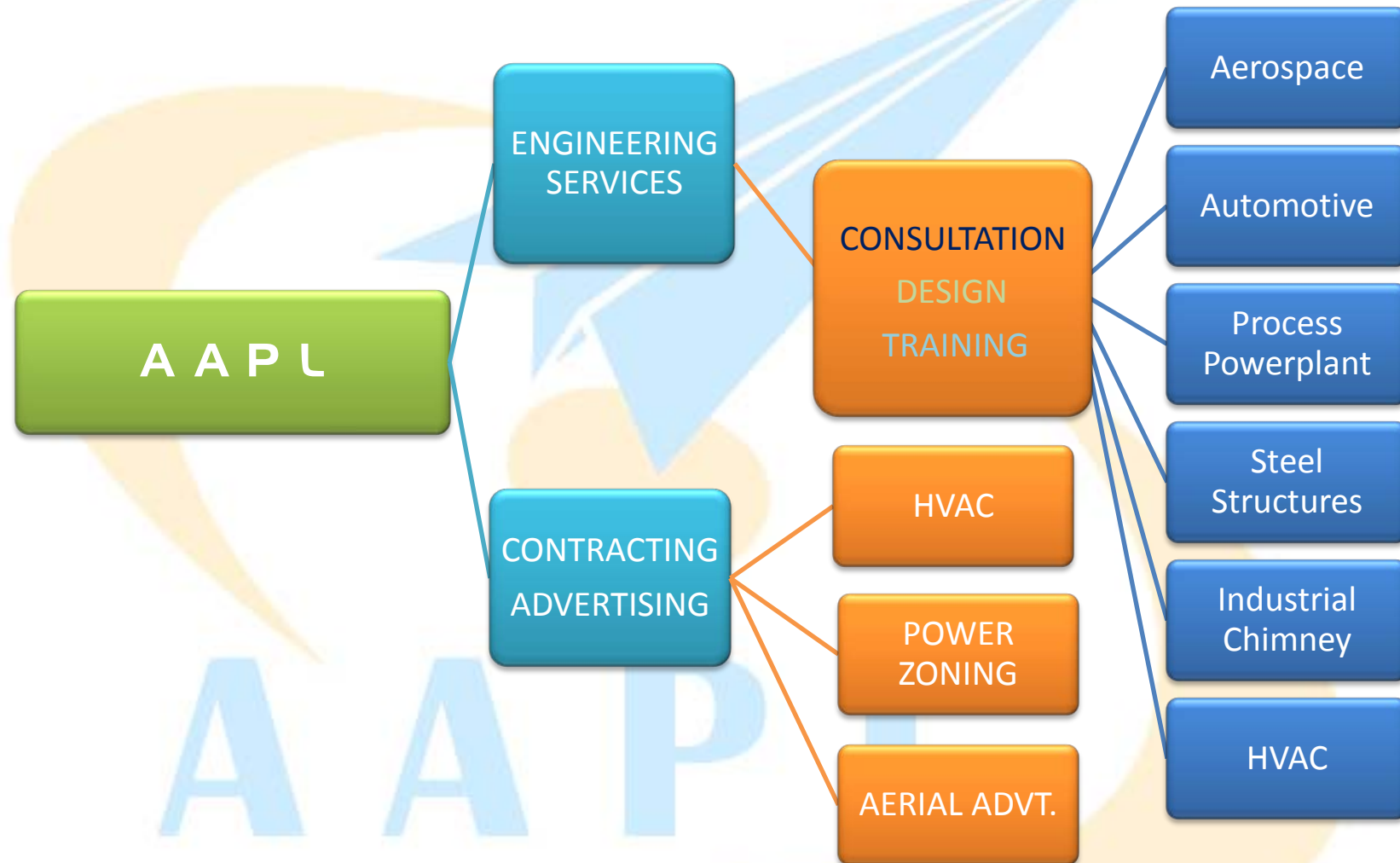
Introduction

Established in the year 2003, professionally
managed Pvt Ltd Company
Continuously profitable and growing
Key markets: Aerospace, Automotive, Energy
and Petro Chemicals
CAD/CAM/CAE in the main stream

Organisation Chart



Services Overview



Services

AEROSPACE

- Computer Aided Design
- Engineering Analysis and Simulation
- Simulation solutions ranging from assembly
- linear & nonlinear structural response
- mechanisms
- Failure analysis.

AUTOMOTIVE

- Computer Aided Design
- Engineering Analysis and Simulation
- Simulation solutions ranging from assembly
- linear & nonlinear structural response
- mechanisms
- Failure analysis.

Services

STEEL STRUCTURAL ENGINEERING

Designing, Modelling & Detailing of:

- Steel Structures
- Buildings Ware Houses
- Bridges Towers
- Offshore Platforms
- Pipe Rack
- Cable Rack
- Reactor Building Structure
- Compressor House
- Technological Structure
- Flare Stack and Supporting Structure
- Steel Bridges
- Platform/Ladders / Cage Ladders / Stair Case/ Handrails
- Miscellaneous Structure

Services

PROCESS POWER PLANT DESIGN & ANALYSIS

- Piping Layout Design
- Pipe Routing
- Specifications of the Lines to be Designed
- Pipe Isometric Drawings
- Material Take off (MTO)
- 3D Modelling of complete Process Plant
- Stress of the pipe at various loading conditions
- Load at various supports and restrains.
- Movement of pipe at support locations
- Pipe terminal point loading.

MECHANICAL ENGINEERING

- Design of complete range of process equipment
- Vessels, Heat Exchangers, Columns, Cone roof, Floating
- Boilers, Nuclear vessels, Power plant equipment.

Services

MECHANICAL ENGINEERING

- Mechanical Design and detail engineering as per ASME & Indian Standards etc.
- Design by analysis for critical service equipment
- Stress, Thermal Analysis and Fatigue life evaluation of
- Equipment using Finite Element Analysis.
- Generation of Data Sheets and Drawings.
- Industrial Chimney Design

HVAC

- HVAC planning and designing that suits the building requirement.
- Design errors and expert consulting.
- Estimation and cost analysis.
- Heat load analysis and expert consulting
- Project commissioning and system execution

Mission Vision and Objectives

- Guidance – in the best interest of Clients.
- Goals – to satisfy the needs of clients – our existence.
- Loyalty – confidentiality.
- Listen - to provide appropriate advice.
- Commitment - to quality and excellence towards providing the best of professionalism.



Recognition & Partnerships



Institutional Member of Indian Society for Technical Education



Member of Indian Society of Heating, Refrigerating and Air Conditioning Engineers



Silicon Vally Corporation Pvt. Ltd; Chennai, India.



Kerala Electrical Limited, Kochi, India.



Nehru Group of Institutions, Kerala.



Viswajyothi College of Engineering, Moovattupuzha, Kerala.

THANK YOU

